

PALTECHNICA

Why didn't I sit on this before?

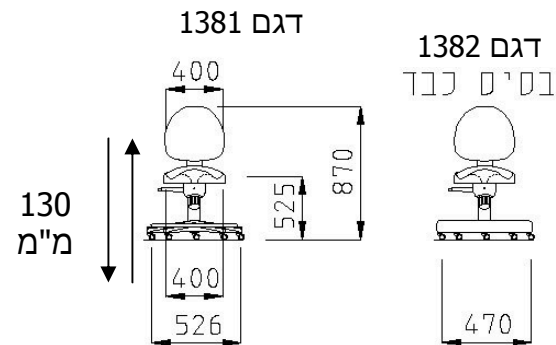
Clinic stools

COMPANY PROFILE

- **FOUNDED IN 1943 PALTECHNICA HAS BECAME THE LEADER DEVELOPER, PRODUCER AND MARKETER OF ERGONOMIC SEATING SOLUTIONS FOR WORKING ENVIROMENTS, MEDICAL CLINICS AND TRANSPORTATION (THE LAST FROM 1995)**
- **SITUATED IN KIBUTZ NITZANIM THE FACTORY HAS ADVANCED DEVELOPING AND PRODUCTION CAPABILITIES WORKING UNDER A SERIOUS QUALITY CONTROL MANAGEMENT .PALTECHNICA'S PRODUCTS ARE WELL KNOWN IN ISRAEL AND ABROAD .**
- **THE QUALITY ORIENTED OBJECTIVES OF THE FIRM LEAD IT TO INVEST IN QUALITY CONTROL CAPABILITIES AS THE QUALITY CHECKING FACILITY WHICH CHECKS PRODUCTS UNDER ANSIBIFMA STANDARDS –FOR THE WORKING ENVIROMENT MARKET AND UNDER THE STRICT EUROPEAN STANDARDS CONCERNING TRANSPORTATION SEATING.**
- **COSTUMER SERVICE IS A MUST OF HIGH PRIORITY .PALTECHNICA HAS AN INDEPENDENT AND MOBIL COSTUMER SERVICE DEPARTMENT IN BOTH WORKING ENVIROMENT AND TRANSPORTATION MARKETS, PROVIDING OUR COSTUMERS COMPLETE SUPPORT DURING WARANTY PERIOD AND AFTER IT .**
- **FLEXIBILITY IS ALSO IMPORTANT FOR US . WHENEVER WE MAY PLAN AND PRODUCE A PRODUCT OR SPECIAL PROJECT, WE ARE ABLE TO GIVE "ONE STOP SHOP" SOLUTION MEANING:**
- **-DEVELOPING, ERGONOMICS AND ENGINEERING**
- **-PLANING AND PREPARING MOLDS AND TOOLS**
- **-ELECTROSTATIC POWDER PAINTING**
- **-ADVANCED MATERIALS AS POLIURYTHAN**
- **-WELDING, MOLDING AND ANY OTHER METAL WORKS**
- **-UPHOLSTERING AND ASSEMBLING**
- **OUR SHOWROOM IS SITUATED IN DOWNTOWN TEL AVIV AND ITS TEAM WILL WELCOME YOU WITH THE PERSONAL TOUCH THAT CHARACTERIZED US AND WILL SHOW A WIDE RANGE OF SEATING SOLUTIONS FOR WORKING ENVIROMENTS IN DIVERSE MODELS.**
- **THE SHOWROOM OF THE TRANSPORTATION SEATING DIVISION IS SITUATED IN KIBUTZ NITZANIM WHERE A QUALIFIED TEAM WILL WELLCOME OUR VISITORS.**
- **THE COMPANY WORKFORCE IS BUILT OF 130 PEOPLE THAT PRODUCE ISRAELI SEATING ,STILL, PALTECHNICA ALSO BUYS COMPLEMENTARY PRODUCTS FOR ITS LINES FROM LEADER SUPPLIERS AROUND THE WORLD/**

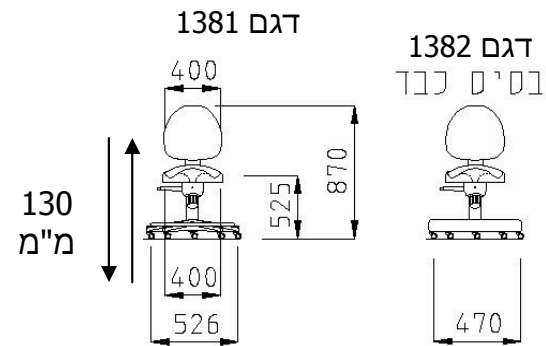
MODEL 1381

- Synchronic dynamic chair for good back support during practice- anti shock mechanism for safe release may be stopped in different postures
- Saddle seat for good seating positioning
- Footrest ring on base – 5 double castors wheels for smooth and stable movement
- May be supplied with ultra stable pu coated base – MODEL 1382



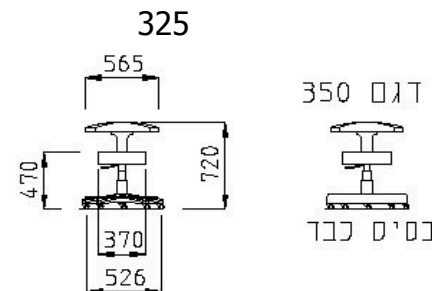
MODEL 1382

- **SAME CHARACTERISTICS AS MODEL 1381 WITH A ULTRA STABLE BASE –PU- COATED**



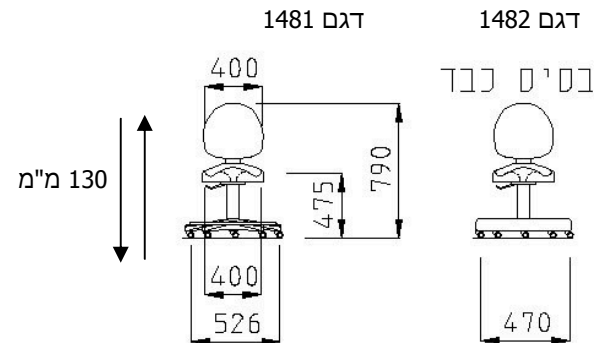
MODEL 350

- **CLASSIC DOCTORS STOOL**
- **PU COATED ULTRA STABLE BASE**
- **INDEPENDENT BACK\ARMREST AND SEAT MOVEMENT 360 DEGREES**
- **TWO SIDES HEIGHT LEVEL CONTROL**



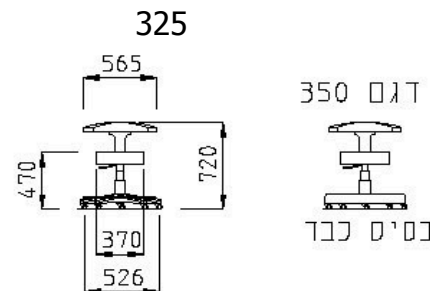
MODEL 1481\1482

- **MODERN CLINIC STOOL WITH PERMANENT CONTACT MECHANISM – BACKREST ADJUSTMENT POSITION AND HEIGHT ADJUSTMENT OF THE BACKREST-**
- **HEIGHT ADJUSTMENT FOR THE SEAT**
- **SADDLE SEAT FOR GOOD POSITIONING IN PRACTICE**
- **BASE WITH RING FOOTREST- WITH 5 DOUBLE CASTOR WHEELS FOR SMOOTH AND STEADY MOVEMENT**
- **MODEL 1482 WITH PU COATED ULTRA STABLE BASE**



Model 325

- **Multi purpose stool**
- **Height adjustable**
- **Classic design**
- **Base with footrest ring and 5 double castor wheel for smooth and stable movement**



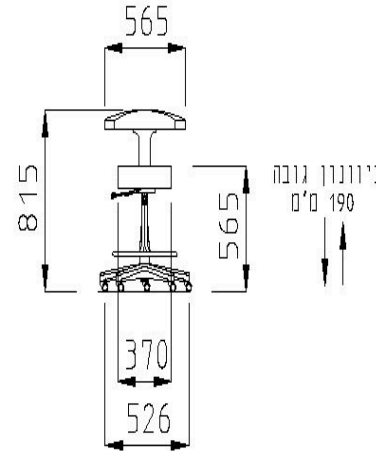
MODEL 'mam'

- This stool has the same options as model 1481 but with a round seat instead of the saddle seat



MODEL 345

- HIGH STOOL FOR DIFERENT CLINIC NEEDS
- SUITABLE FOR HIGH TASKS LIKE US MONITORING
- HEIGHT ADJUSTMENT – CLASIC DESIGN



SADLE SEAT STOOL WB

- **A VERSATILE STOOL FOR DIFERENT CLINIC TASKS**



MODEL 466

- **CLASICAL SIMPLE ROUND STOOL**
- **PU ROUND SEAT – AVAIABLE IN A GRAY FRAME**

